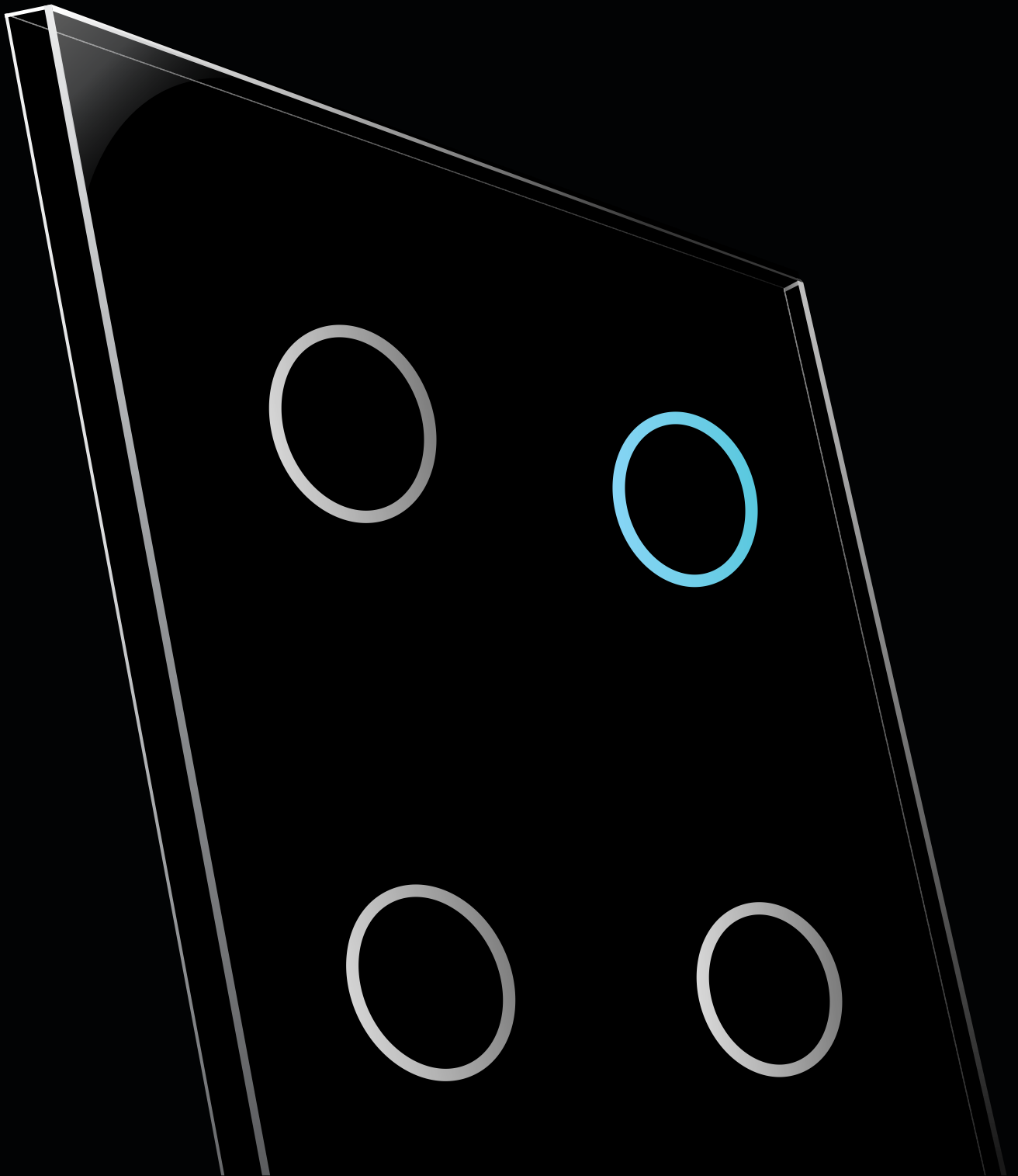




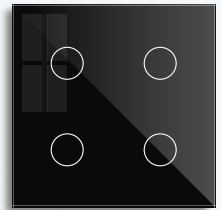
# Digital Switches

## Catalogue



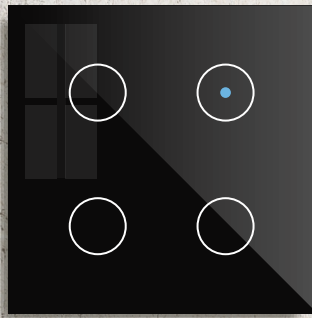
# FTS Series

Feather Touch Simple  
Glass Finish

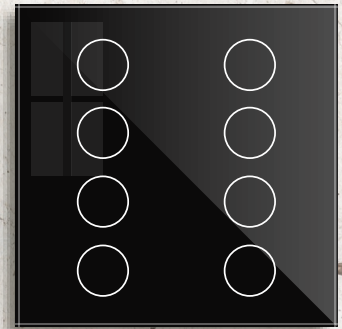


# FTS

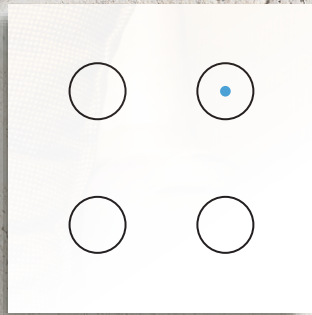
Color options



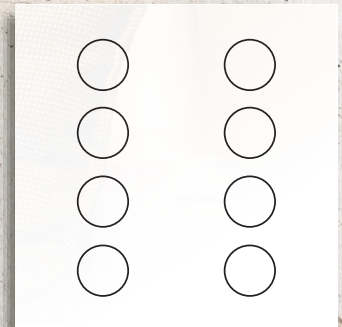
4 - Black



8 - White

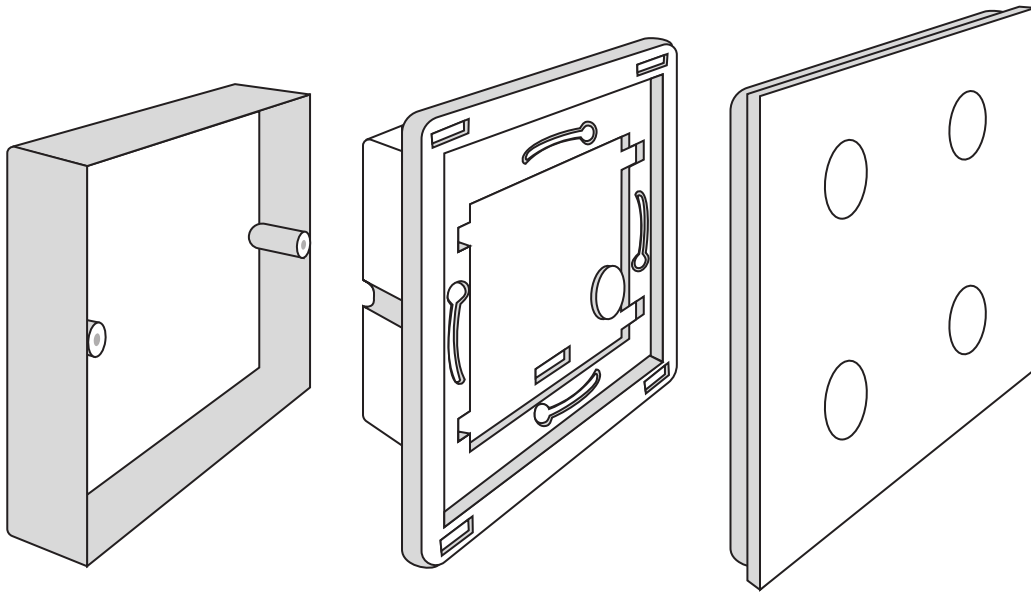


4 - White



8 - White

# Part Installation Overview



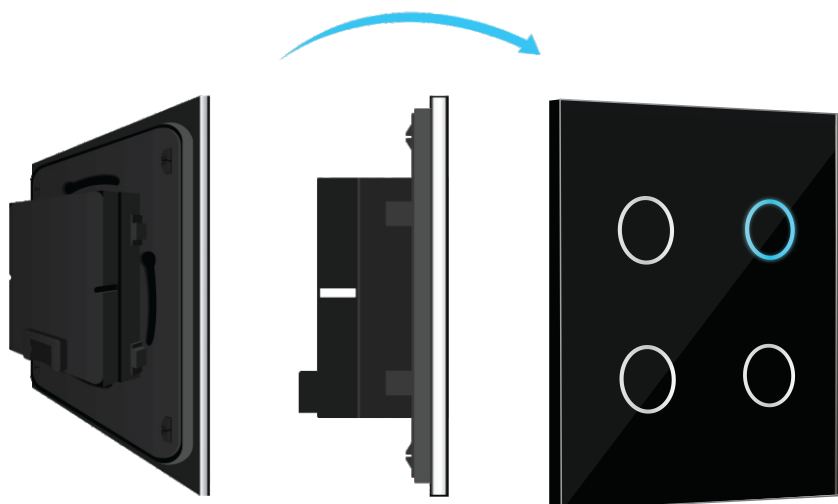
Wall Mounting Box



Bus Coupling Unit (BCU)



Touch Glass Frame



**Description** : The FTS series 4-Fold and 8-Fold Touch button control loads, on/off (switching), control the dimming off lights, control the curtain, shutter or curtain motors and send values to any other command to control other object or control function.

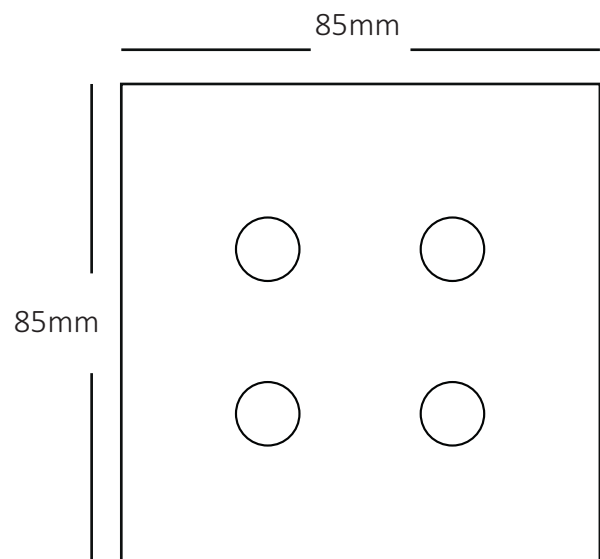
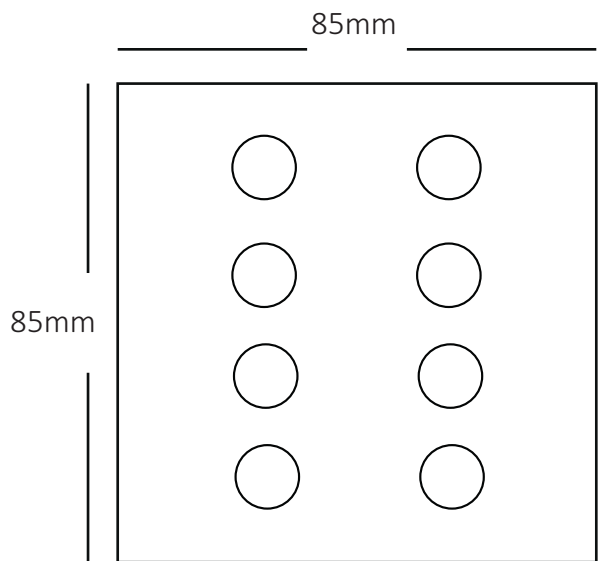
**Color Option** :

**Functions :**

- Switching (On/Off/Toggle)
- Control of Light Dimming
- Control of Shades (Blinds, Shutters)
- Send percentage value
- Send 8-bit value (0...255)
- Send temperature value
- Send brightness value
- Send 16-bit value (0...65535)
- 1-bit scene control
- 8-bit scene control
- Protocol : KNX/ZigBee/Thread

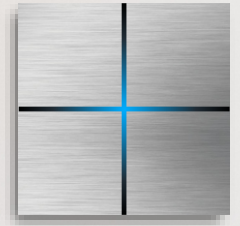
**Part Number** : TP-SGL-4.0      4 Fold

**Part Number** : TP-SGL-8.0      8 Fold



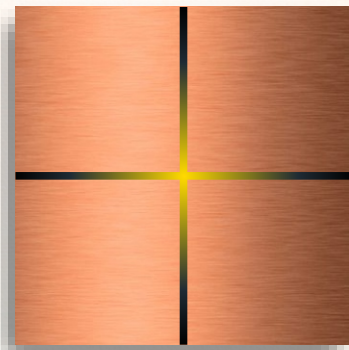
# Fyra Series

Metal Finish Switches

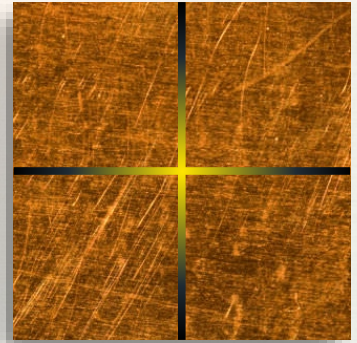


# Fyra

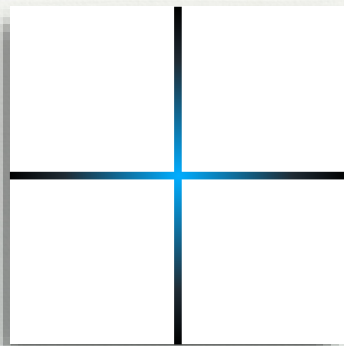
Color options



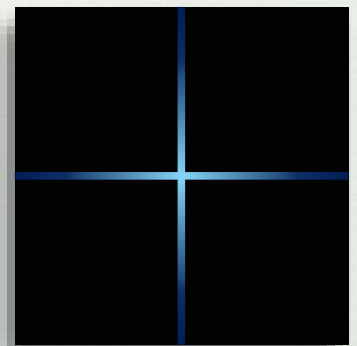
Royal bronze



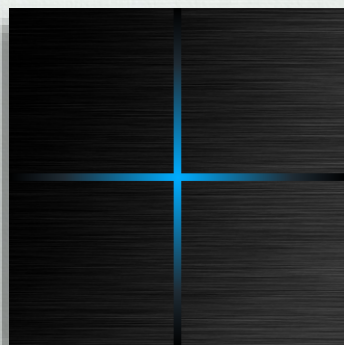
Rusty copper



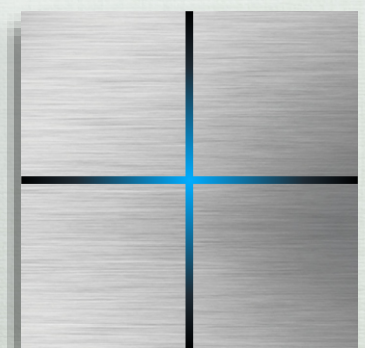
Normal white



Normal black



Brushed black



Aluminium

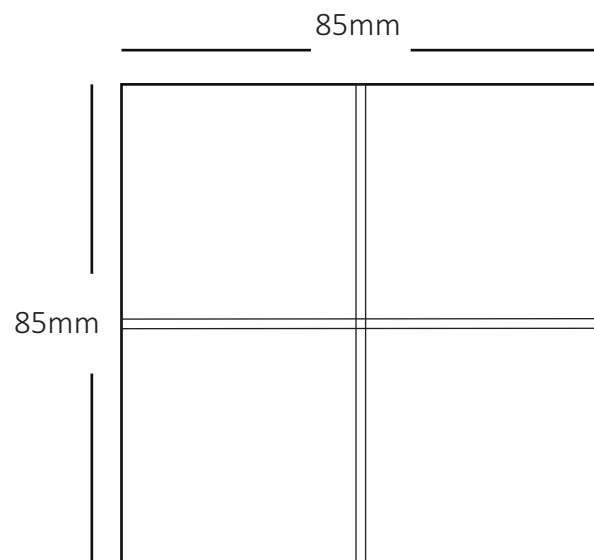
**Description** : The LTS series Touch Surface control loads, on/off (switching), control the dimming of lights, control the curtain, shutter or curtain motors and send values to any other command to control other object or control function.

**Part Number** : MF-SGL-4/8

4 Single touch surfaces  
Integrated scene sequencer & RGB Sequencer  
Multi color LED back light  
1 Multi- touch functionality

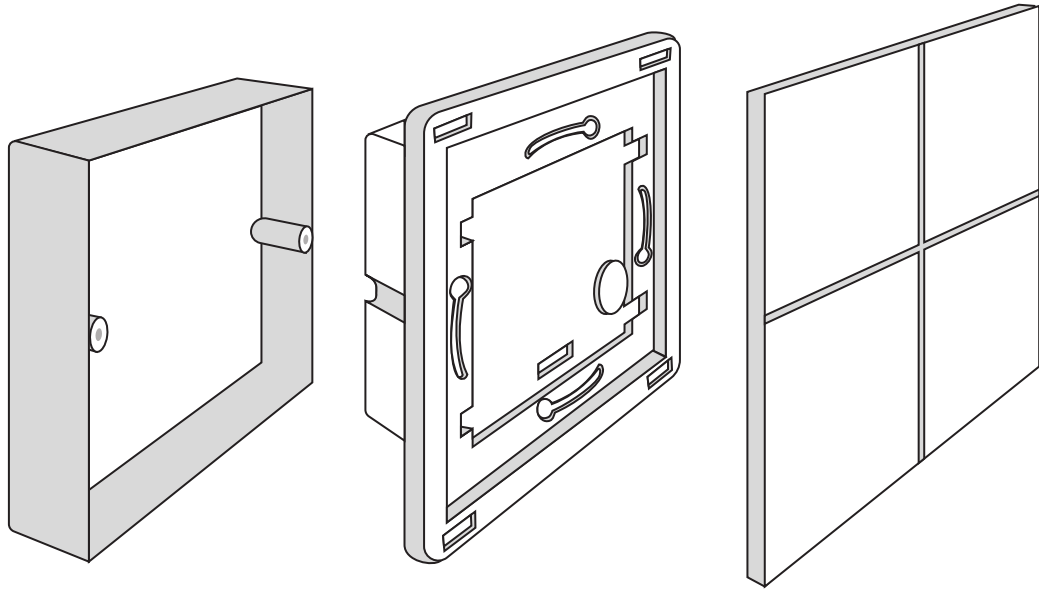
• **Functions :**

- Switching (On/Off/Toggle)
- Control of Light Dimming
- Control of Shades (Blinds, Shutters)
- Send percentage value
- Send 8-bit value (0...255)
- Send temperature value
- Send brightness value
- Send 16-bit value (0...65535)
- 1-bit scene control
- 8-bit scene control
- Protocol : KNX/ZigBee/Thread





# Part Installation Overview



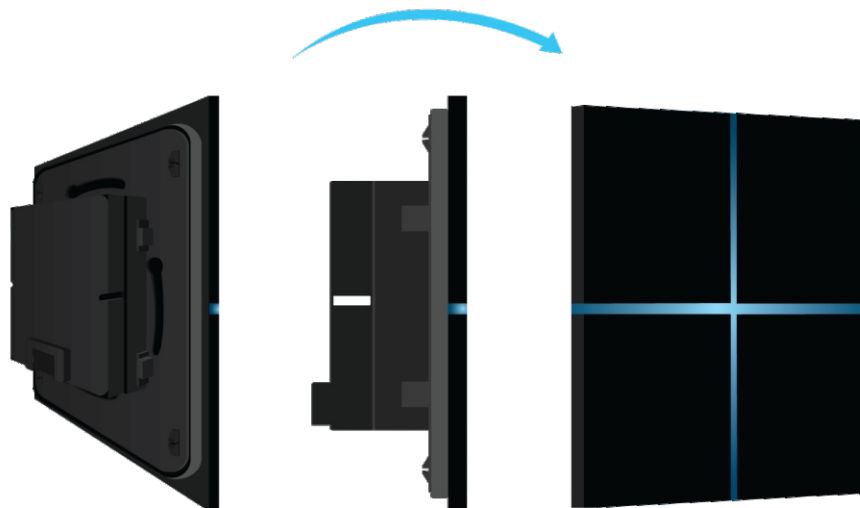
Wall Mounting Box



Bus Coupling Unit (BCU)

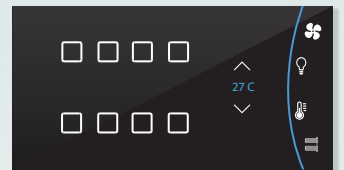


Touch Metal Frame

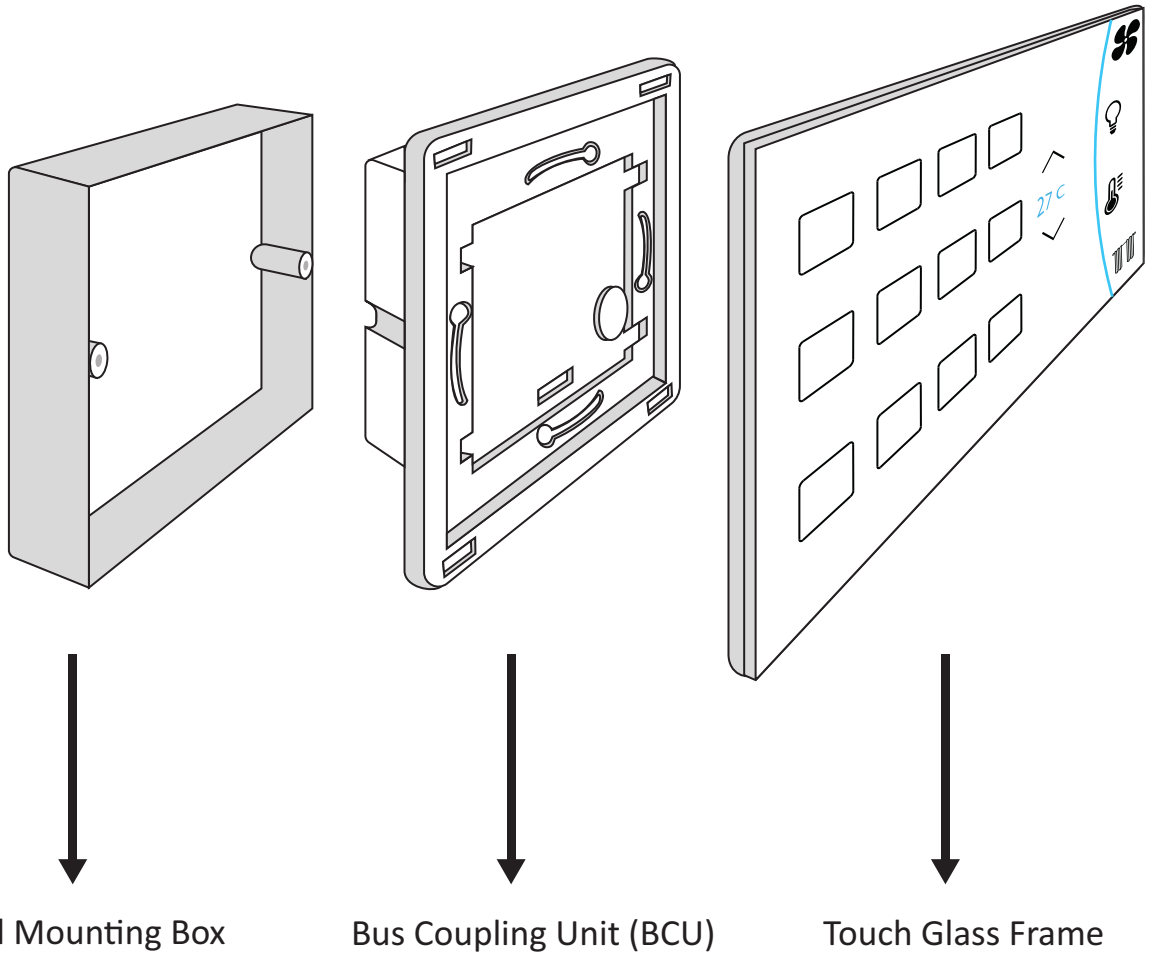




# MFTP Series



# Part Installation Overview

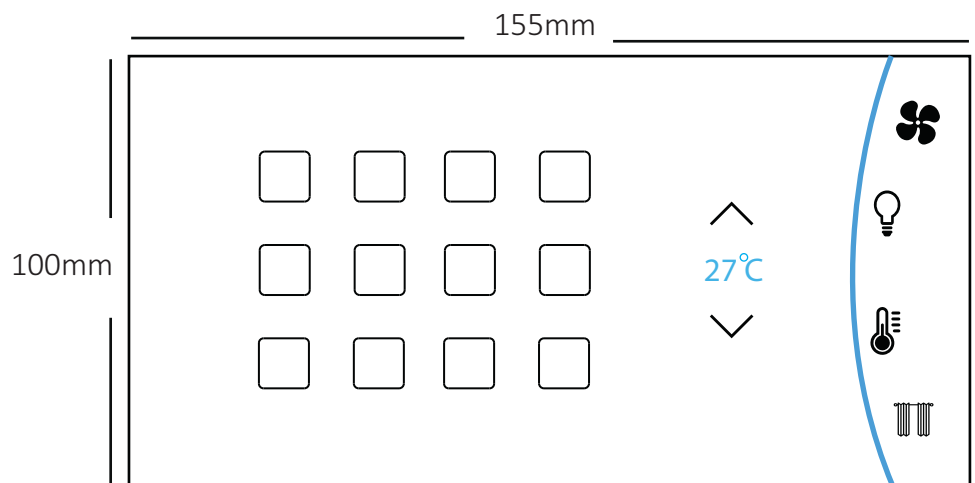


**Description** : The MFTP is multi functional touch panel designed with all the possible operation of a room incorporated. The Oled display shows status of all the operations like, temperature, light intensity levels, etc giving you ease to control your room.

**Part Number** : MFTP-V.10-BX

• **Functions :**

- Inbuilt temperature sensor
- Switching (On/Off/Toggle)
- Control of Light Dimming
- Control of Shades (Blinds, Shutters)
- Send percentage value
- Send 8-bit value (0...255)
- Send temperature value
- Send brightness value
- Send 16-bit value (0...65535)
- 1-bit scene control
- 8-bit scene control
- Protocol : KNX/ZigBee/Thread





**Touch Remote**

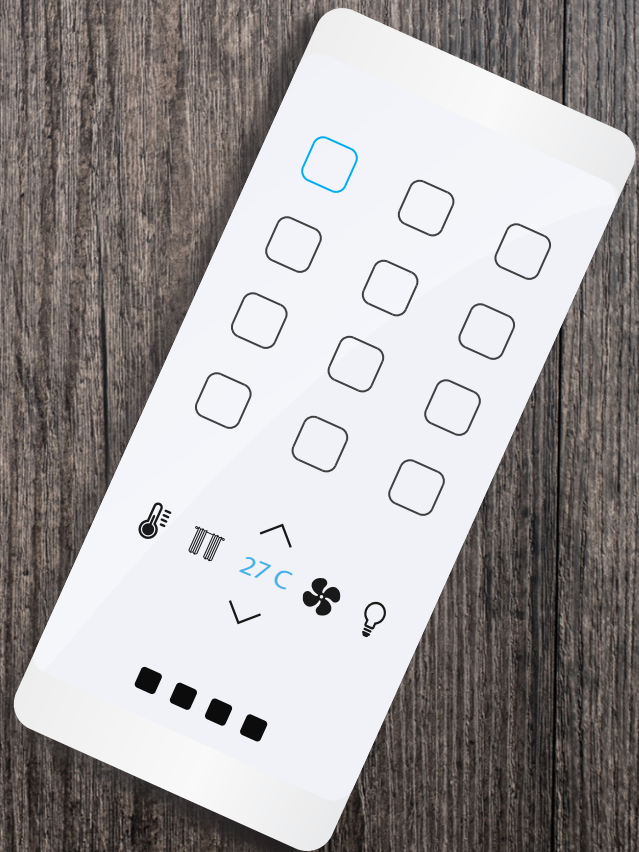
# Remote

Color options



**Glass finish-Black**





Glass finish-white



**Description** : The Touch remote is used to wirelessly control the actuators and integrated modules, giving you the flexibility and ease of control.

Operating on ZigBee and KNX-RF it gives you flexibility to integrate with both the world wide standard protocols.

• **Functions :**

- Inbuilt temperature sensor
- Switching (On/Off/Toggle)
- Control of Light Dimming
- Control of Shades (Blinds, Shutters)
- Temperature control
- Send percentage value
- Send 8-bit value (0...255)
- Send temperature value
- Send brightness value
- Send 16-bit value (0...65535)
- 1-bit scene control
- 8-bit scene control
- Protocol : KNX/ZigBee/Thread

**Part Number** : TR-XS-Z

With an intuitive user interface the beautiful and elegant remote looks really good when you hold them. Customization of buttons is always possible according to the users requirements.

