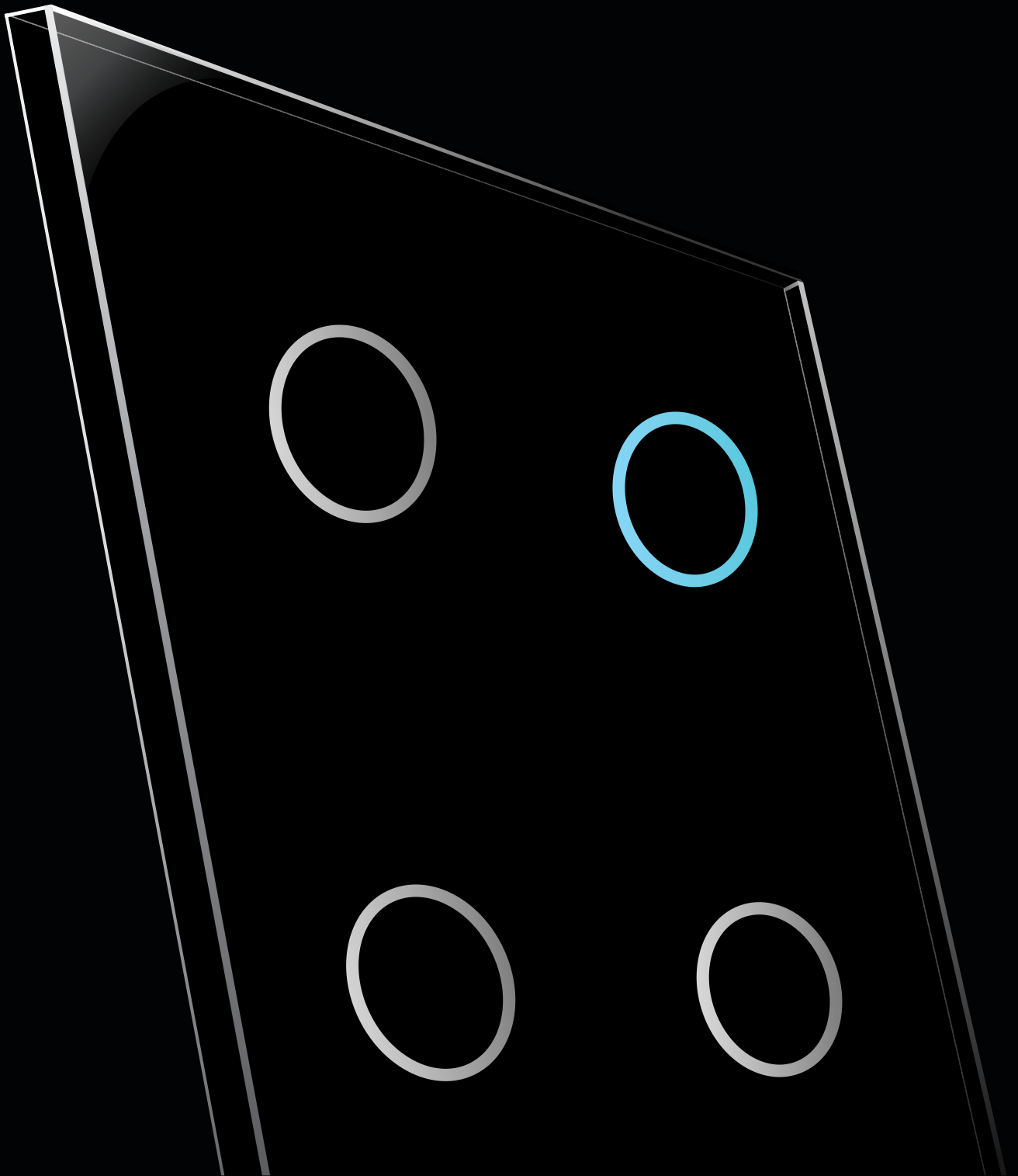




# Building Technologies

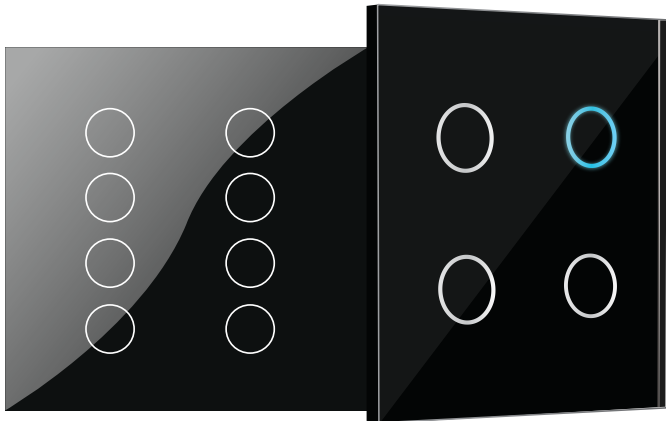
## Product Catalogue





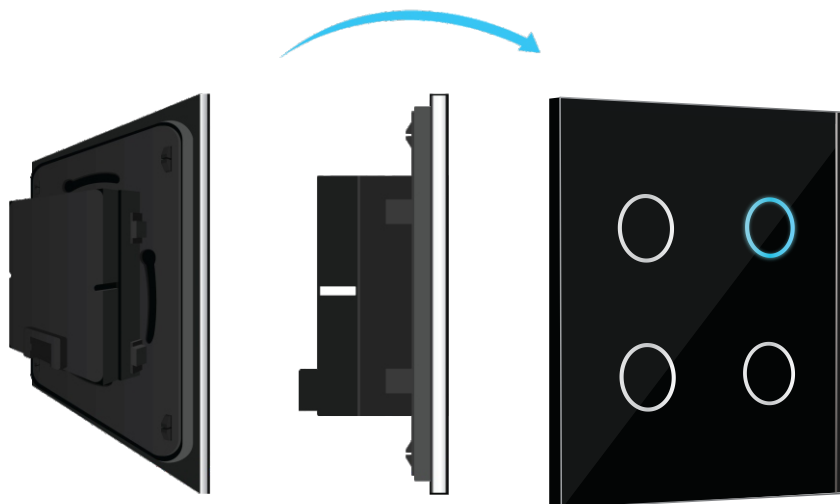
# Touch Switches



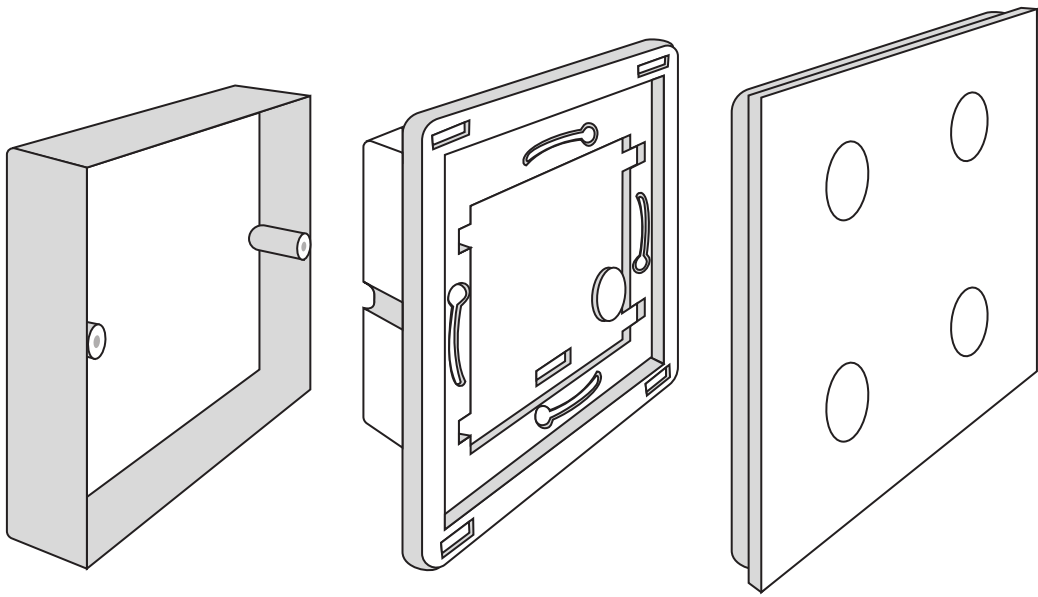


## FTS Series

Feather Touch Simple  
Glass Finish



# Part Installation Overview



Wall Mounting Box



Bus Coupling Unit (BCU)



Touch Glass Frame

**Description** : The FTS series 4-Fold and 8-Fold Touch button control loads, on/off (switching), control the dimming off lights, control the curtain, shutter or curtain motors and send values to any other command to control other object or control function.

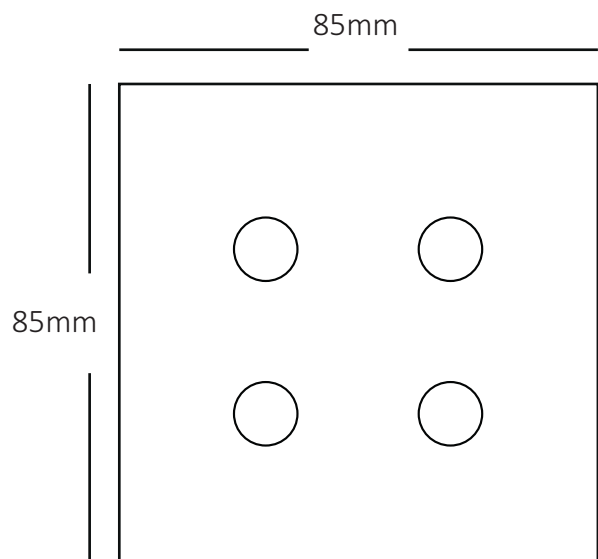
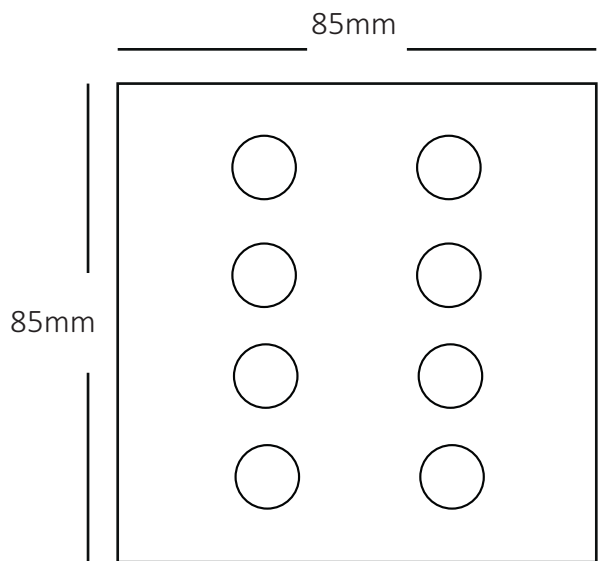
**Color Option** :

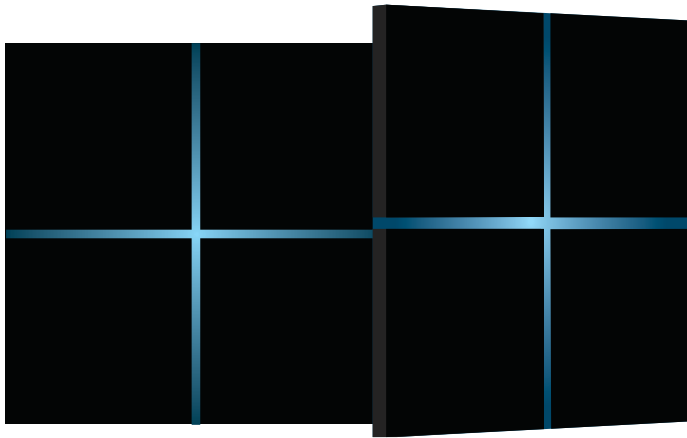
**Functions** :

- Switching (On/Off/Toggle)
- Control of Light Dimming
- Control of Shades (Blinds, Shutters)
- Send percentage value
- Send 8-bit value (0...255)
- Send temperature value
- Send brightness value
- Send 16-bit value (0...65535)
- 1-bit scene control
- 8-bit scene control
- Protocol : KNX/ZigBee/Thread

**Part Number** : TP-SGL-4.0      4 Fold

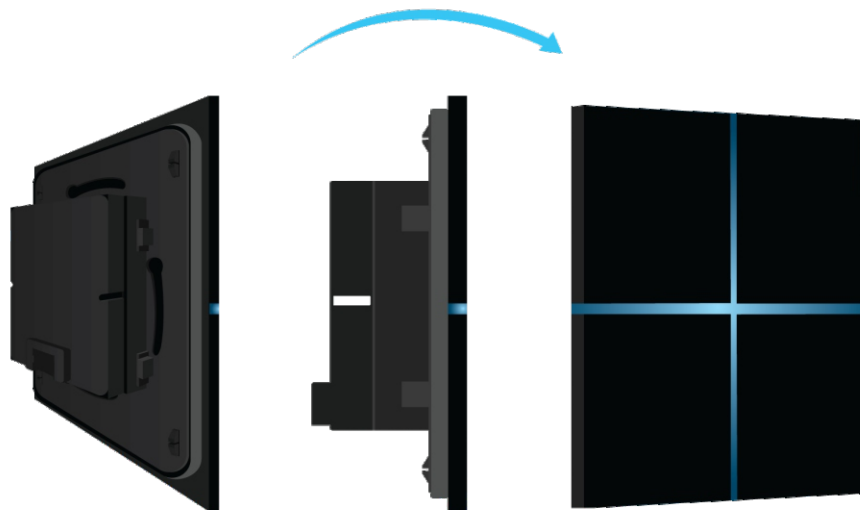
**Part Number** : TP-SGL-8.0      8 Fold



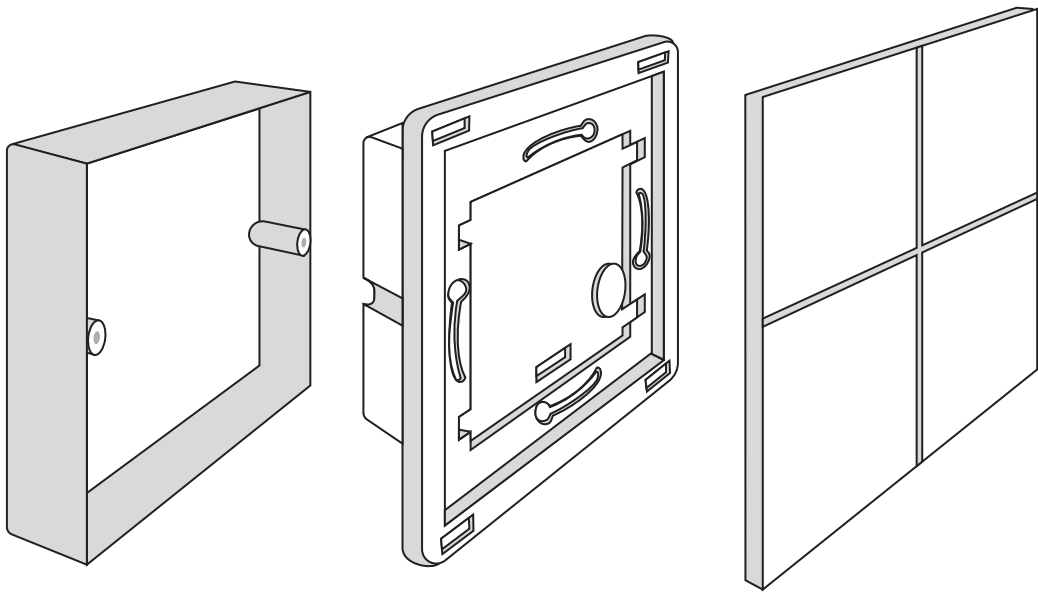


## Fyra Series

Feather Touch Simple  
Metal Finish



# Part Installation Overview



Wall Mounting Box



Bus Coupling Unit (BCU)



Touch Metal Frame

**Description** : The LTS series Touch Surface control loads, on/off (switching), control the dimming of lights, control the curtain, shutter or curtain motors and send values to any other command to control other object or control function.

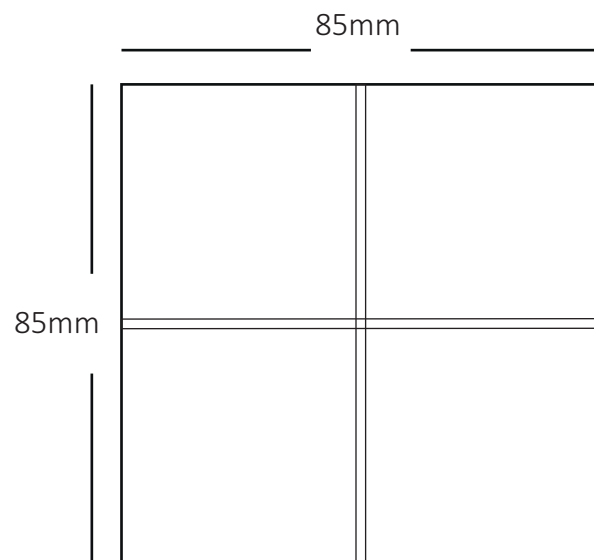
**Part Number** : MF-SGL-4/8

4 Single touch surfaces  
Integrated scene sequencer & RGB Sequencer  
Multi color LED back light  
1 Multi- touch functionality

**Color Option** : See product specific catalog

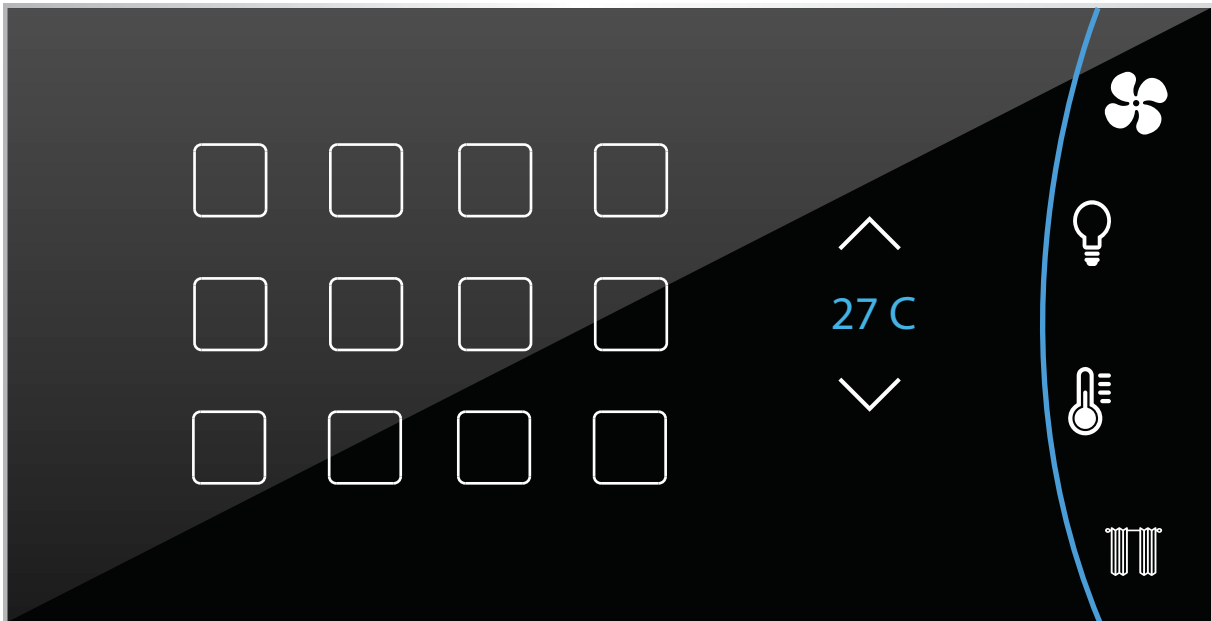
• **Functions** :

- Switching (On/Off/Toggle)
- Control of Light Dimming
- Control of Shades (Blinds, Shutters)
- Send percentage value
- Send 8-bit value (0...255)
- Send temperature value
- Send brightness value
- Send 16-bit value (0...65535)
- 1-bit scene control
- 8-bit scene control
- Protocol : KNX/ZigBee/Thread

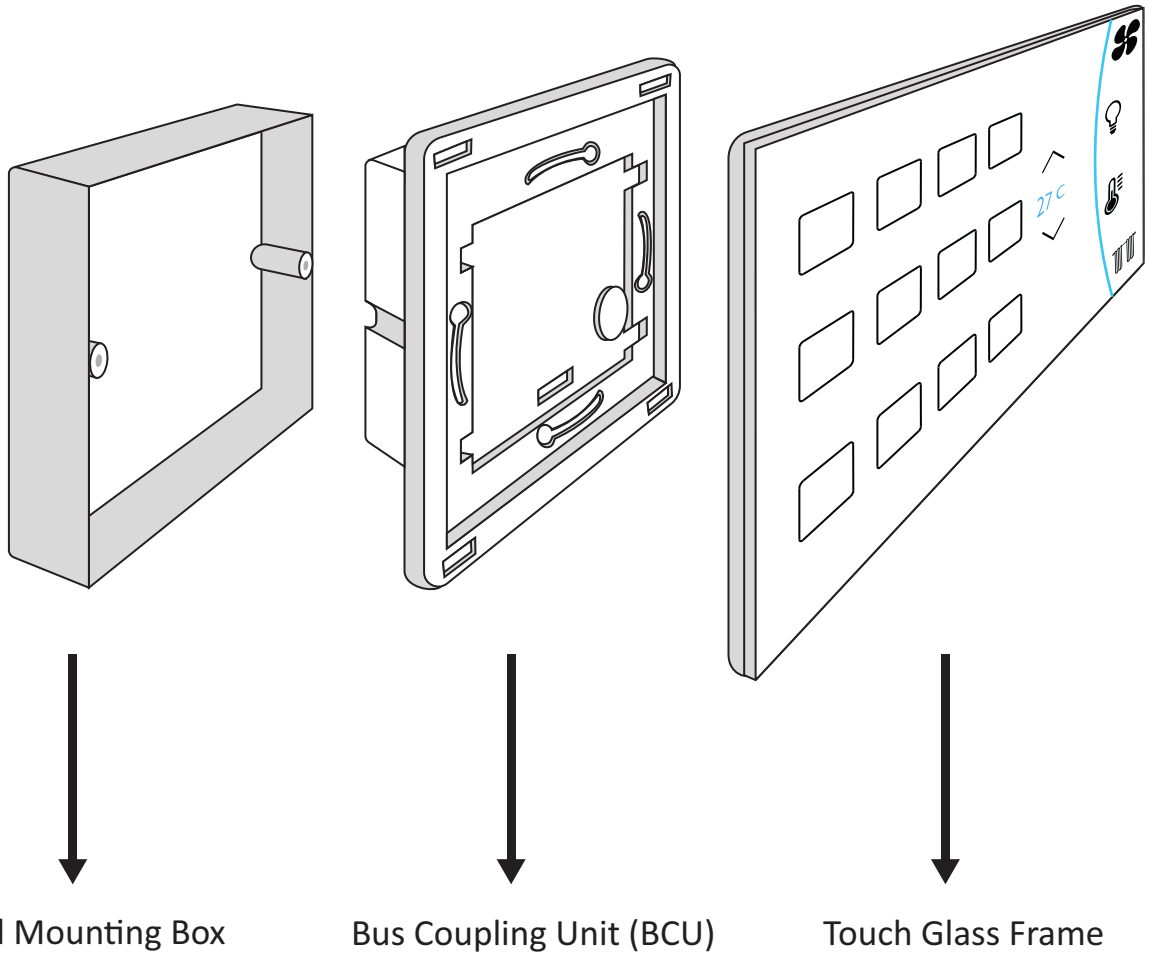




# MFTP Series



# Part Installation Overview



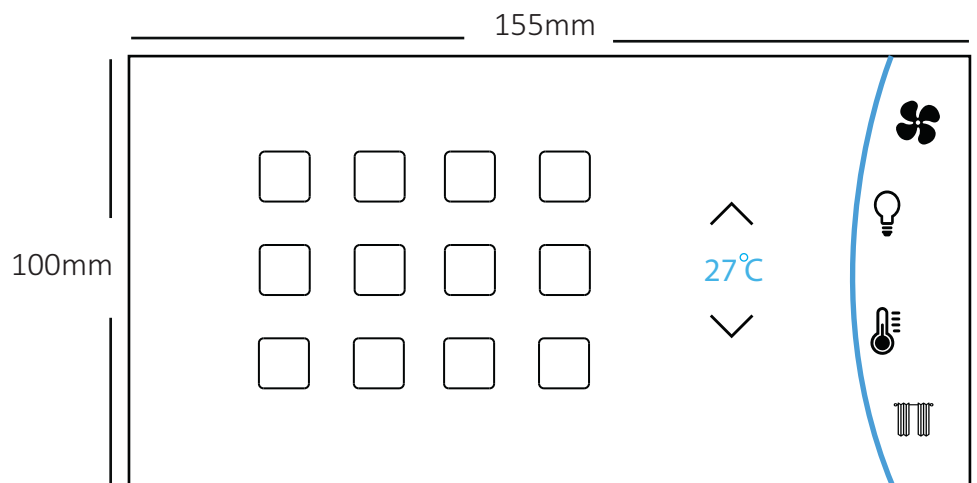
**Description** : The MFTP is multi functional touch panel designed with all the possible operation of a room incorporated. The Oled display shows status of all the operations like, temperature, light intensity levels, etc giving you ease to control your room.

**Part Number** : MFTP-V.10-BX

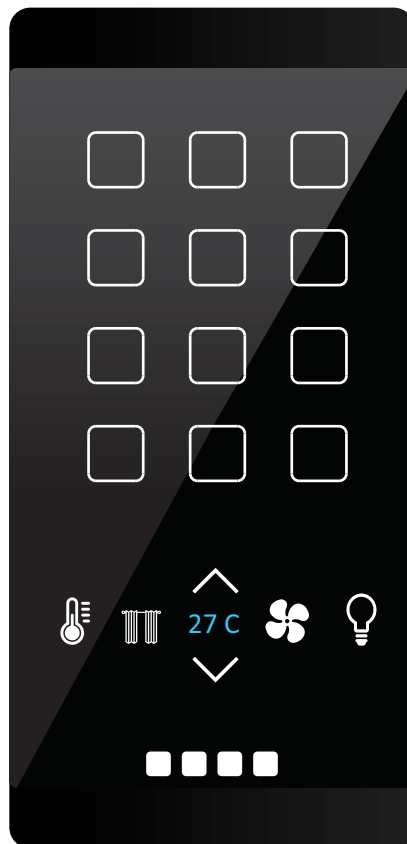
**Color Option** :

• **Functions** :

- Inbuilt temperature sensor
- Switching (On/Off/Toggle)
- Control of Light Dimming
- Control of Shades (Blinds, Shutters)
- Send percentage value
- Send 8-bit value (0...255)
- Send temperature value
- Send brightness value
- Send 16-bit value (0...65535)
- 1-bit scene control
- 8-bit scene control
- Protocol : KNX/ZigBee/Thread



# Touch Remote



**Description** : The Touch remote is used to wirelessly control the actuators and integrated modules, giving you the flexibility and ease of control.

Operating on ZigBee and KNx-RF it gives you flexibility to integrate with both the world wide standard protocols.

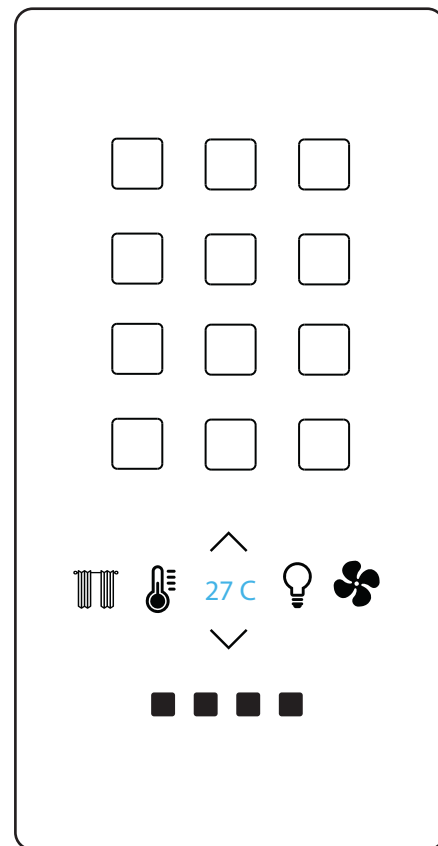
**Color Option** : 


• **Functions** :

- Inbuilt temperature sensor
- Switching (On/Off/Toggle)
- Control of Light Dimming
- Control of Shades (Blinds, Shutters)
- Temperature control
- Send percentage value
- Send 8-bit value (0...255)
- Send temperature value
- Send brightness value
- Send 16-bit value (0...65535)
- 1-bit scene control
- 8-bit scene control
- Protocol : KNX/ZigBee/Thread


**Part Number** : TR-XS-Z

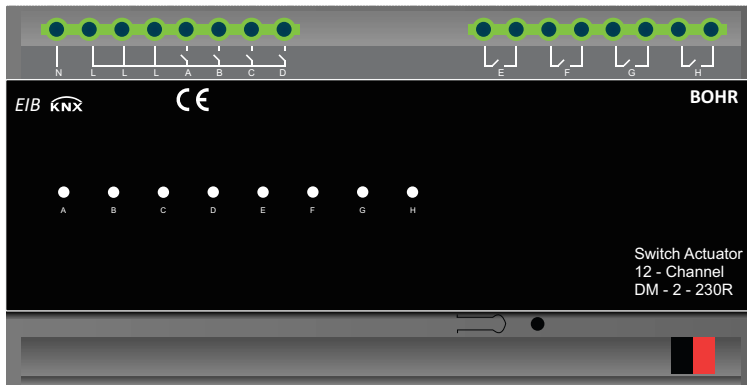
With an intuitive user interface the beautiful and elegant remote looks really good when you hold them. Customization of buttons is always possible according to the users requirements.





# Modules & Actuators

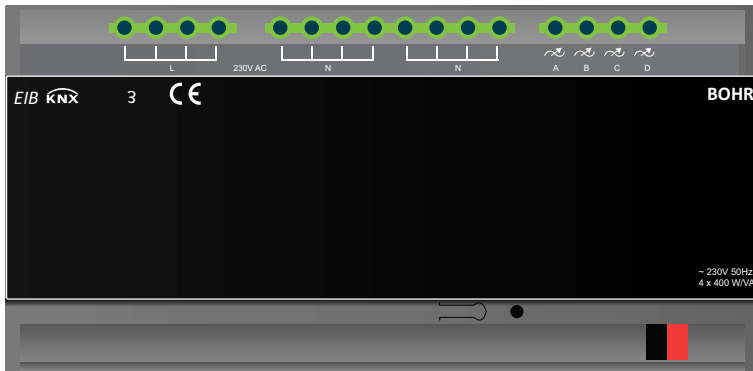




## Switch Actuator

Part Number : TP-SW-8.0

- **Description** : The TP-SW-8.0 binary output allows to command 8 group of loads independently, to this purpose, the device has outputs fitted with potential free relays.
- Rail mounting device 8 rail units with manual electric operation and LED status indication.
- Frontal programming push button and LED.
- **Functions** :
  - Switching of lights.
  - Switching of any type of electrical load like A.C, T.V, etc.
  - Mounting on DIN rail in distribution boxes.
  - Parallel Switching of two relay station possible.

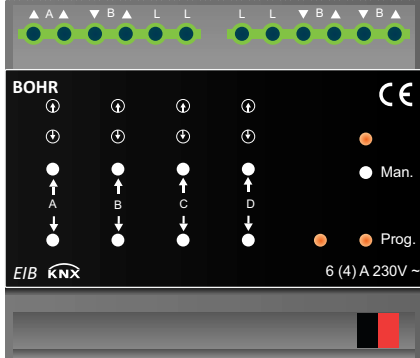


## Dimmer Actuator

**Part Number** : TP-DIM-AC230-04

- **Description** : The TP-DIM-AC230-04 can be used to control dimmable LED power supply units.
- **Functions** :
  - Switching and dimming of LED lights, incandescent lamps, halogen lamps etc.
  - No flickering of lights.
  - Control switching function all on, all off.
  - Parallel connection of two dimming stations is possible.
  - Send 8bit value ( 0....255)
  - Scenes, sequences can be repeated.
  - Dimming speed and holding time can be programmed.
  - Frontal programming push button and LED.

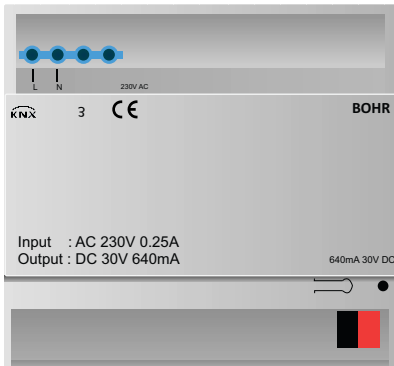




## Curtain Controller

Part Number : TP-CC-230-04

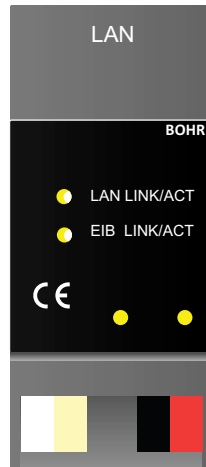
- **Description** : The TP-DIM-AC230-04 can be used to achieve control of curtain, blinds, shades, drapery track system, projector screen etc. The output contacts for the directions up and down are mechanically interlocked so that voltage cannot be applied at both contacts at the same time. Push button are located at the front of the device which can be used to raise and lower the shutter/blind manually
- Frontal programming push button with LED effect.
- Open/close can be programmed.
- **Functions** :
  - Movement up/down/close/open.
  - Set preset position and moving into preset position.
  - Move to position 0.... 100%.
  - Automatic run protection.
  - Fully automation control in accordance with the day's weather condition.



## Power Supply

Part Number : TP-CC-230-04

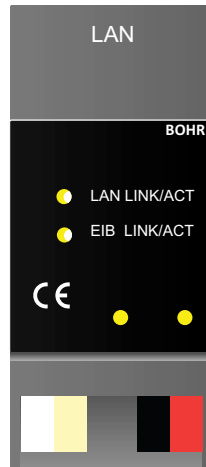
- **Description** : The power supply unit converts 230V AC to 30V DC which is required by the KNX bus operation. An integrated choke is provided for decoupling power supply and bus line. The maximum current output is 640 mA and the output is protected from short circuit and over voltage.
- **Functions** :
  - Converts 230V AC to 30V DC.
  - Short circuit protection.



## KNX/IP Interface

**Part Number** : TP-CON-IP-06

- **Description** : The TP-CON-IP-06 is designed for an intelligent building control system, which is used for facilitating communication between the ethernet network and KNX system. It serves as an interface between KNX installation and IP network and can configure, parameterize and commission the KNX installations.
- Configuration via ETS.
- Electrical isolation both KNX and IP network.
- LED display for KNX communication, ethernet communication and programming mode.
- **Functions** :
  - Data interface.
  - Mounting on DIN rail in distribution boxes.



## KNX/ZigBee Interface

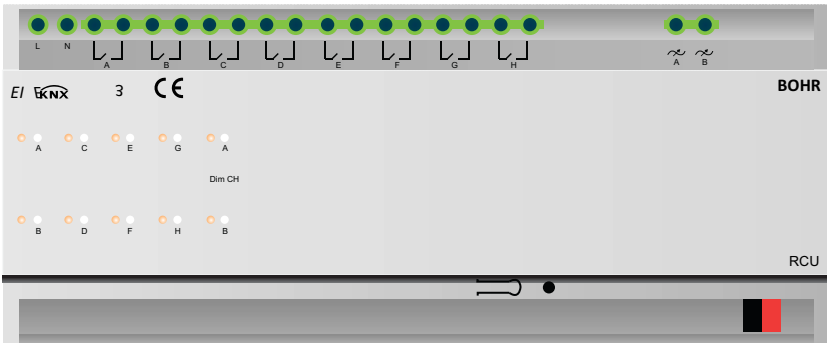
Part Number : ZB-CON-IP-06

- **Description** : The ZB-CON-IP-06 is designed for an intelligent building control system, which is used for facilitating communication between the ethernet network and ZigBee system. It serves as an interface between ZigBee installation and IP network and can configure, parameterize and commission the ZigBee installations.
- Configuration via ETS.
- Electrical isolation both ZigBee and IP network.
- LED display for ZigBEE communication, ethernet communication and programming
- **Functions** :
  - Data interface.
  - Mounting on DIN rail in distribution boxes.



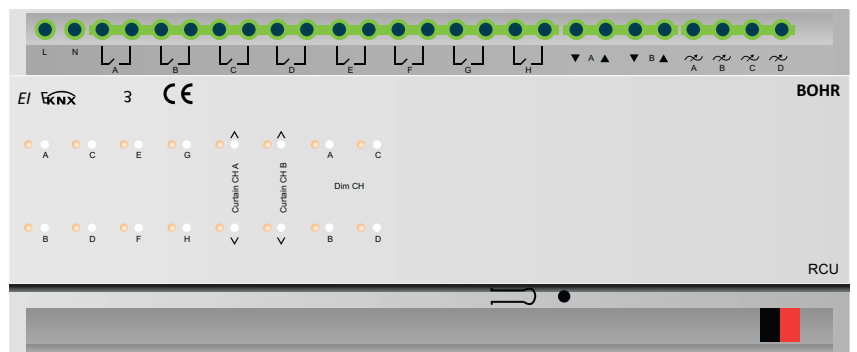
# Integrated Controllers

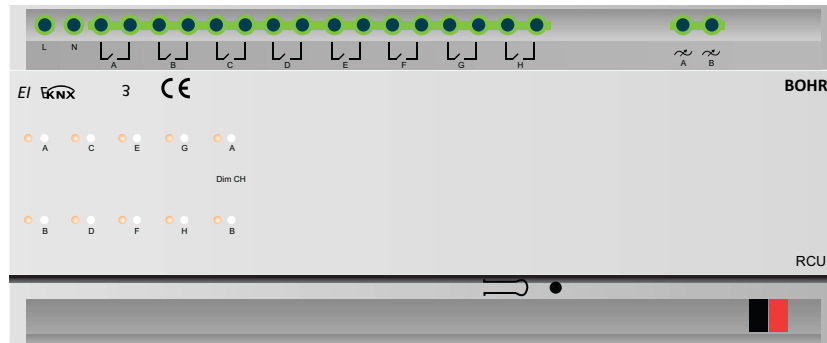




# RCU

(Room Control Unit)

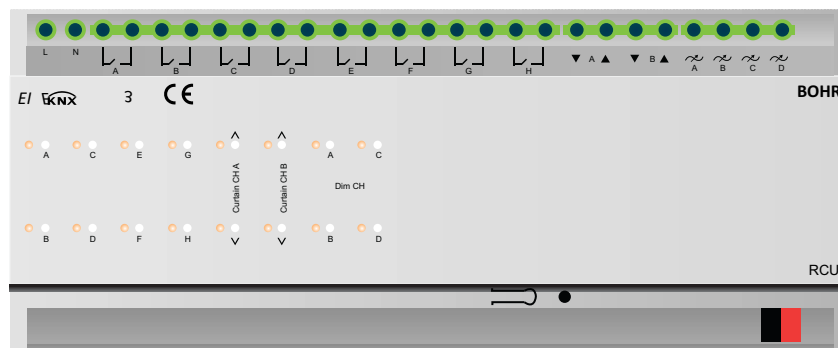




## RCU 3001

### Features

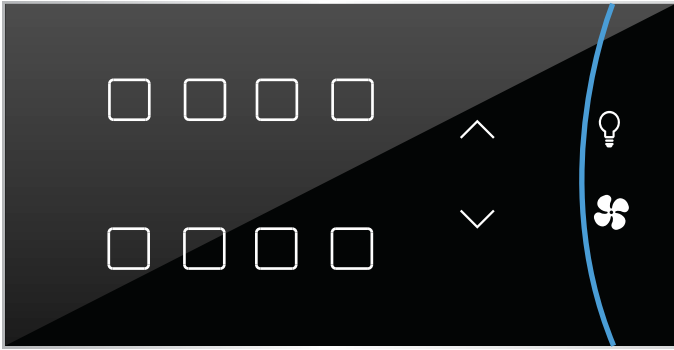
- 6 Channel - Switching control
- 1 Channel - Curtain controller  
( Can be configured to 2 channel Switching control )
- 1 Channel - Forward phase mosfet based fan controller
- 1 Channel - Universal light dimmer ( R L C load )
- Works on both wired and wireless communication



## RCU 4001

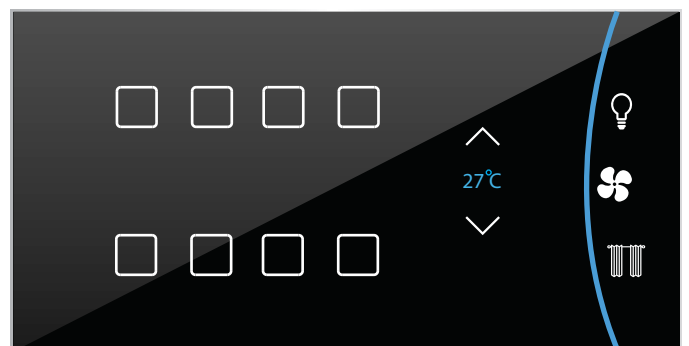
### Features

- 8 Channel - Switching control
- 2 Channel - Curtain controller  
( Can be configured to 4 channel Switching control )
- 2 Channel - Fan controller
- 2 Channel - Universal light dimmer ( R L C load )
- Works on both wired and wireless communication

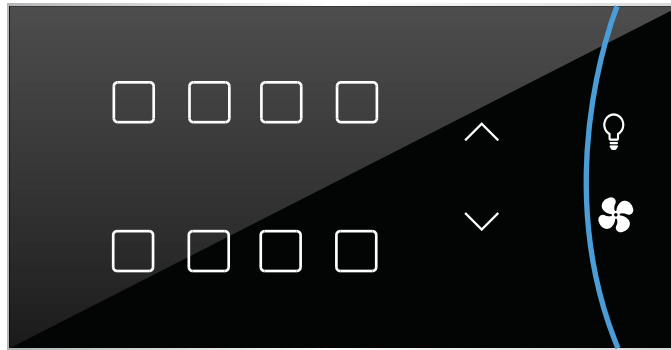


# RAC

(Room Automation Controller)



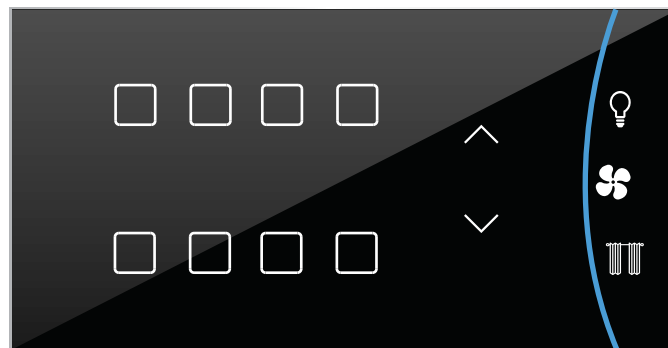




## RAC 1.0B

### Features

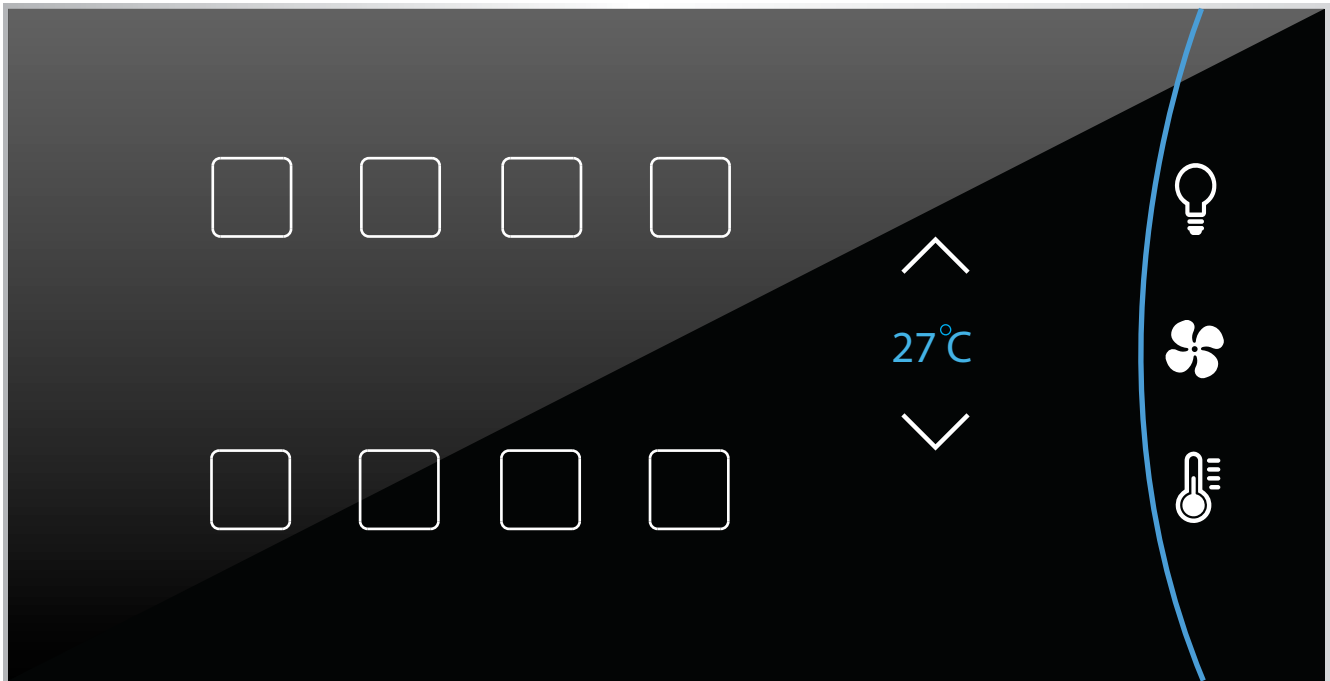
- 8 Channel - Switching control
- 2 Channel - Universal dimmer ( R L C load )
- Touch interface - glass finish
- Bluetooth communication for mobile application control
- Pre-configured with all the features ( No programming needed )



## RAC 1.1B

### Features

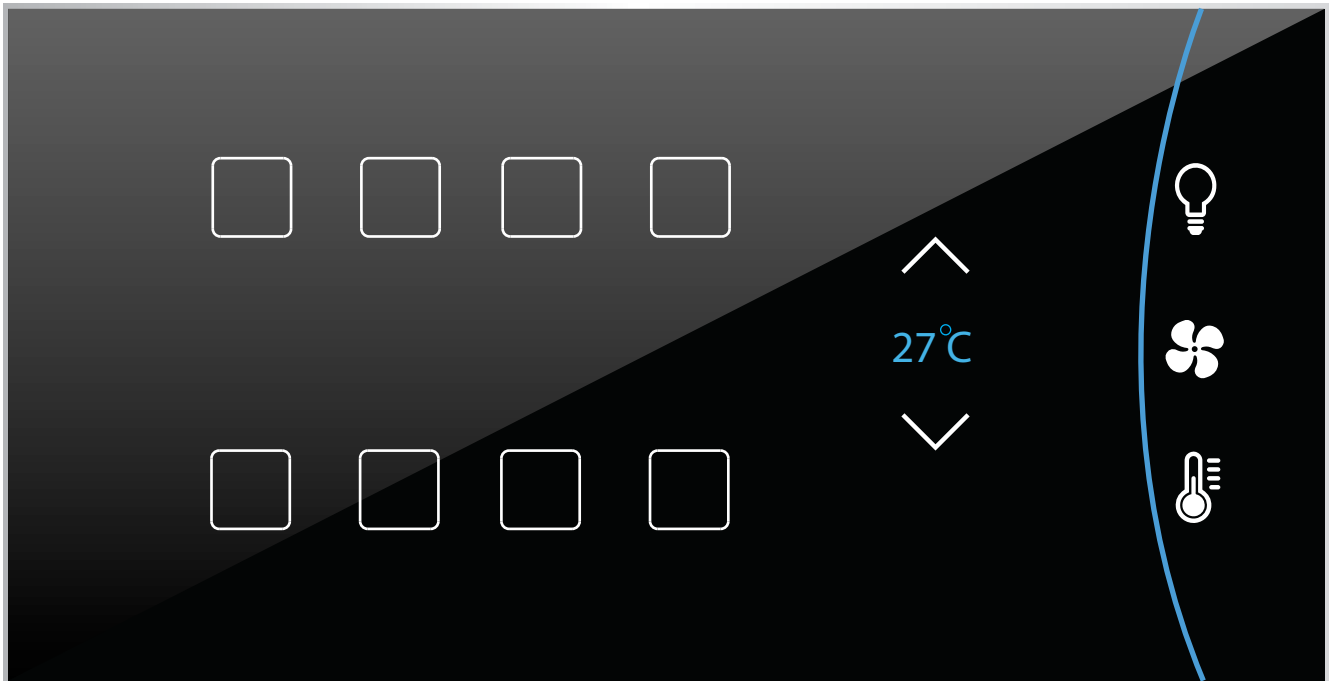
- 8 Channel - Switching control
- 2 Channel - Curtain controller ( Can be configured to 4 channel Switching control )
- 2 channel - Universal dimmer ( R L C load )
- Touch interface - Glass finish
- Bluetooth communication for mobile application control
- Pre-configured with all the features ( No programming needed )



# RAC 1.0Z

## Features

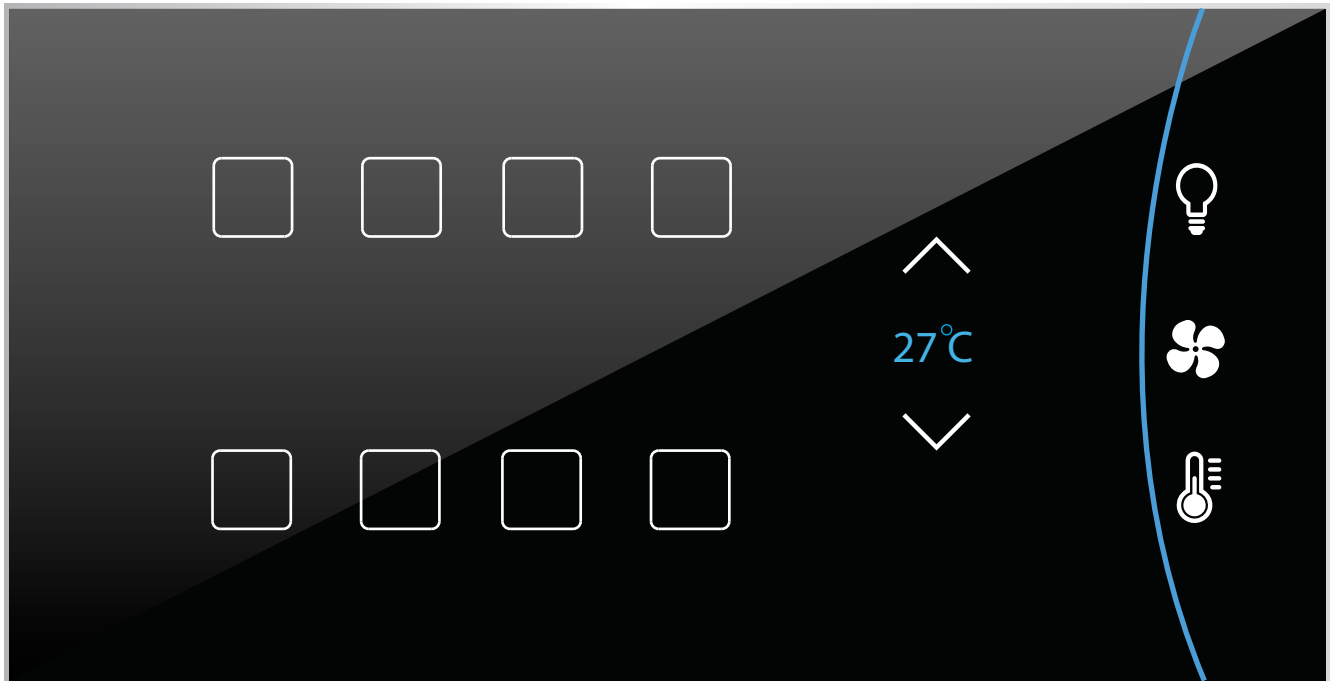
- 8 Channel - Switching control
- 2 Channel - Universal dimmer ( R L C load )
- Touch interface - Glass finish
- Communication - ZigBee ( Worldwide standard wireless protocol home automation & building technologies )
- Room temperature measurement display & thermostat option
- Touch remote - Optional
- Compatible with 4 button, 8 button FTS series for multiple control



# RAC 1.1Z

## Features

- 8 Channel - Switching control
- 2 Channel - Universal dimmer ( R L C load )
- 2 Channel - Curtain controller ( Can be configured to 4 channel Switching control )
- Touch interface - Glass finish
- ZigBee ( Worldwide standard wireless protocol home automation & building technologies )
- Room temperature measurement display & thermostat option
- Compatible with 4 button, 8 button FTS series for multiple control
- IR emitter to control devices which works on IR such as TV, AC etc - optional
- Touch remote - optional



## RAC 2.0Z

### Features

- 8 Channel - Switching control
- 2 Channel - Universal dimmer ( R L C load )
- 2 Channel - Curtain controller ( Can be configured to 4 channel Switching control )
- Touch interface - Glass finish
- ZigBee ( Worldwide standard wireless protocol home automation & building technologies )
- Room temperature measurement display & thermostat option
- Compatible with 4 button, 8 button FTS series for multiple control
- IR emitter to control devices which works on IR such as TV, AC etc - optional
- Touch remote - optional
- Media center


# Part Number Selection


P CH - 8S 2U IA 2C 1F - Z  
□ □ □ □ □ □ □ □  
1 2 3 4 5 6 7 8

## Digit Discription

- 1 - Power device
- 2 - Mount type
  - CH - Channel mount type
  - FB - Flushed box
- 3 - Switching channels ( Max 16 Amps )
  - 8S - 8 Channels
  - 6S - 6 Channels
  - 4S - 4 Channels
  - 2S - 2 Channels
- 4 - Universal dimming channels ( R L C Load )
  - 8U - 8 Channels
  - 6U - 6 Channels
  - 4U - 4 Channels
  - 2U - 2 Channels
- 5 - Analog dimming channels
  - 4A - 4 Channels
  - 3A - 3 Channels
  - 2A - 2 Channels
  - 1A - 1 Channels
- 6 - Curtain control channels
  - 4C - 4 Channels
  - 3C - 3 Channels
  - 2C - 2 Channels
  - 1C - 1 Channels
- 7 - Fan control channels
  - 2F - 2 Channels
  - 1F - 1 Channels
- 8 - Communication Bus
  - K - KNX
  - Z - ZigBee
  - B - Bluetooth

# BOHR

 [info@bohrelectric.com](mailto:info@bohrelectric.com)

 [www.bohrelectric.com](http://www.bohrelectric.com)